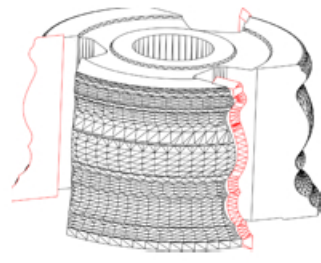


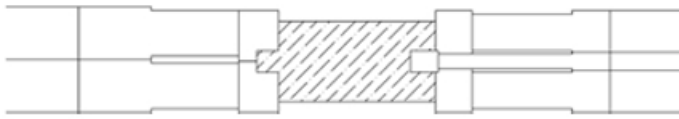
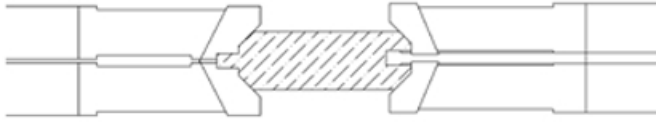
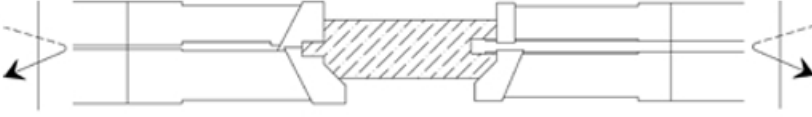
Specialised TCT Cutters and Router Bits  
ASAX Agencies manufactures high quality TCT cutters and Router bits.



Info required :

- 1) Wood sample, drawing or scanned picture
- 2) Material being cut and machine to be used.
- 3) Max allowable diameter that your machine can accommodate.
- 4) Quantity of material to be machined.

We will calculate, price, advise on operation and provide full technical details as required

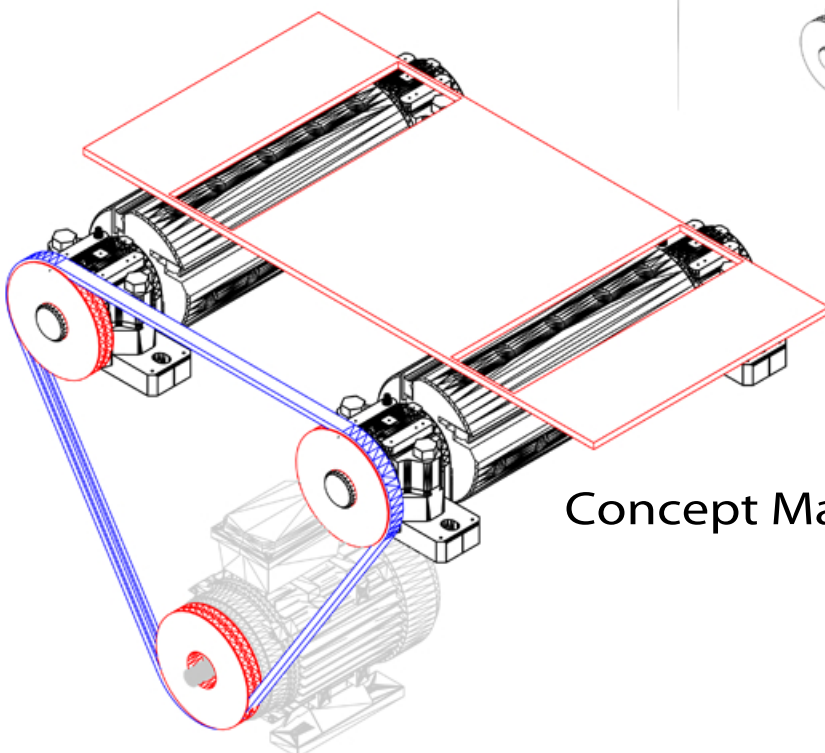
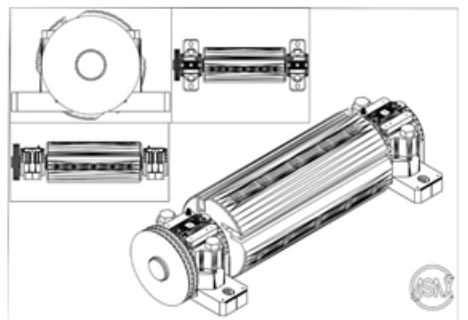


Serrated Profiling System.

HSS profiled knives 8mm thick ideal for short runs and solid woods. Block heads available from 40 - 230mm in length. 2wing and 4wing heads.

Bespoke manufacturing of cutter heads for planing, profiling or cutting application. From concept to final product. We advise and design.

Machine components design and manufacture  
With our vast experience we are able to advise on machine building. With our CNC machinery parts are manufactured to highest tolerances



Concept Machine